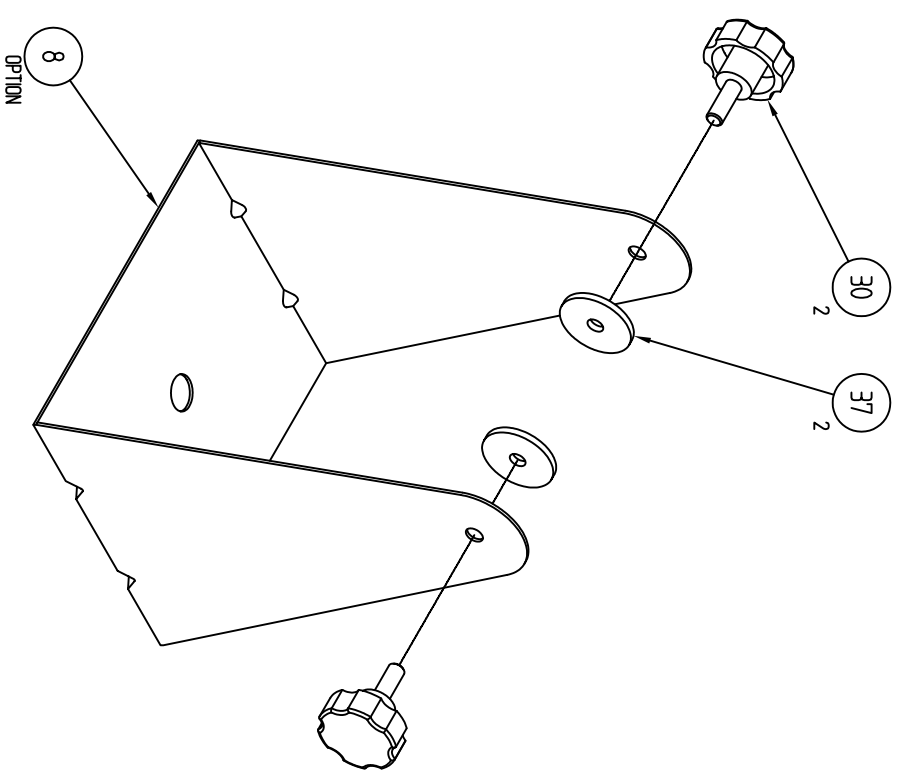
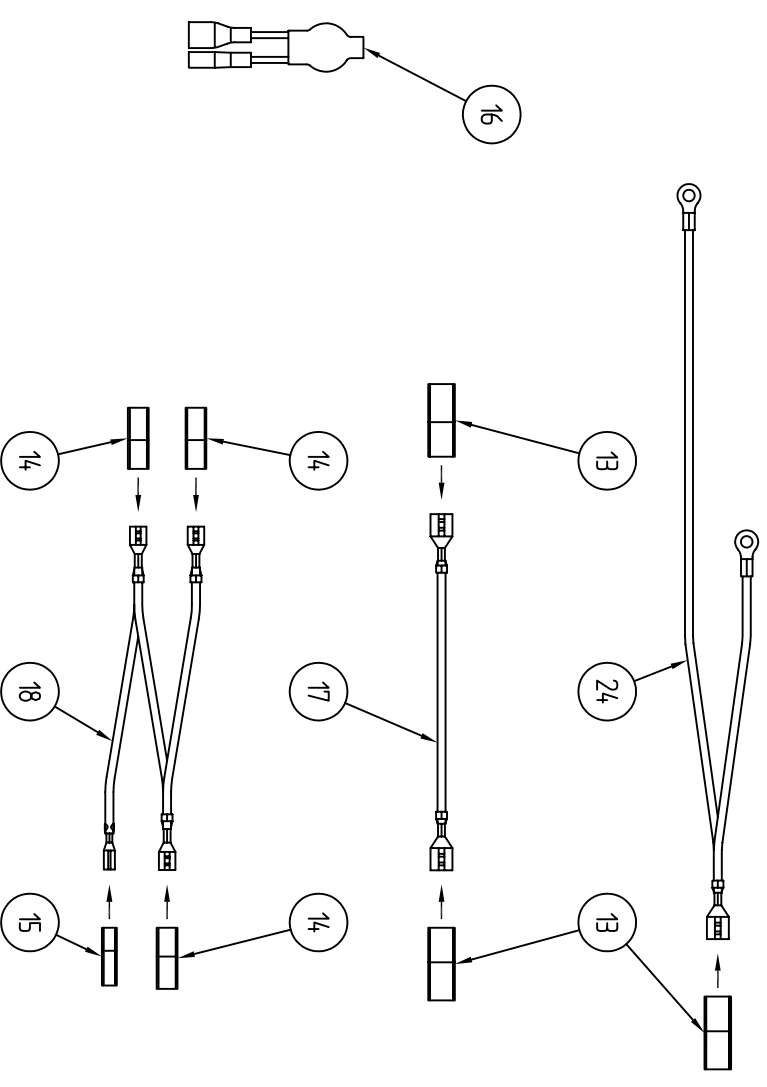
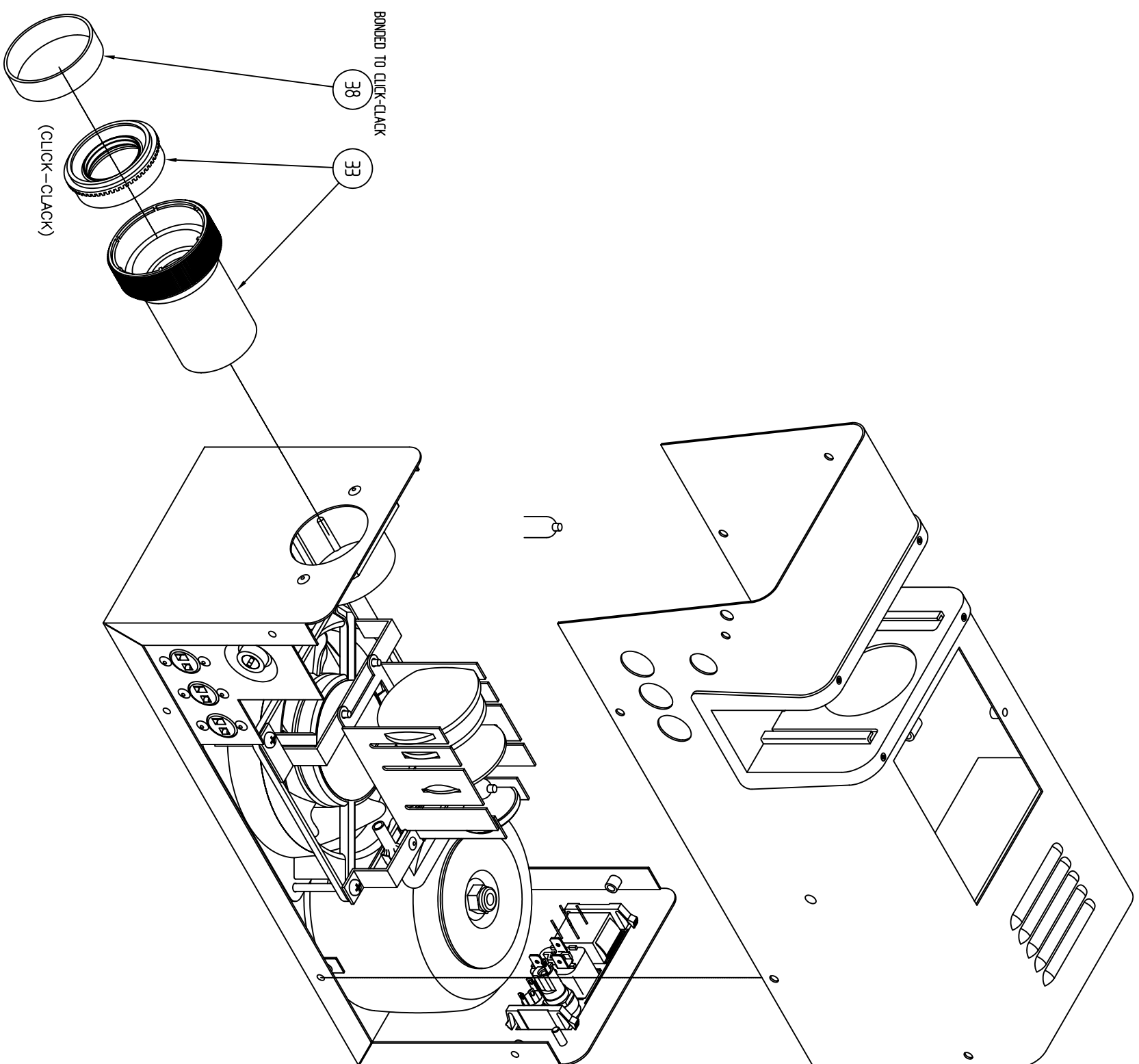
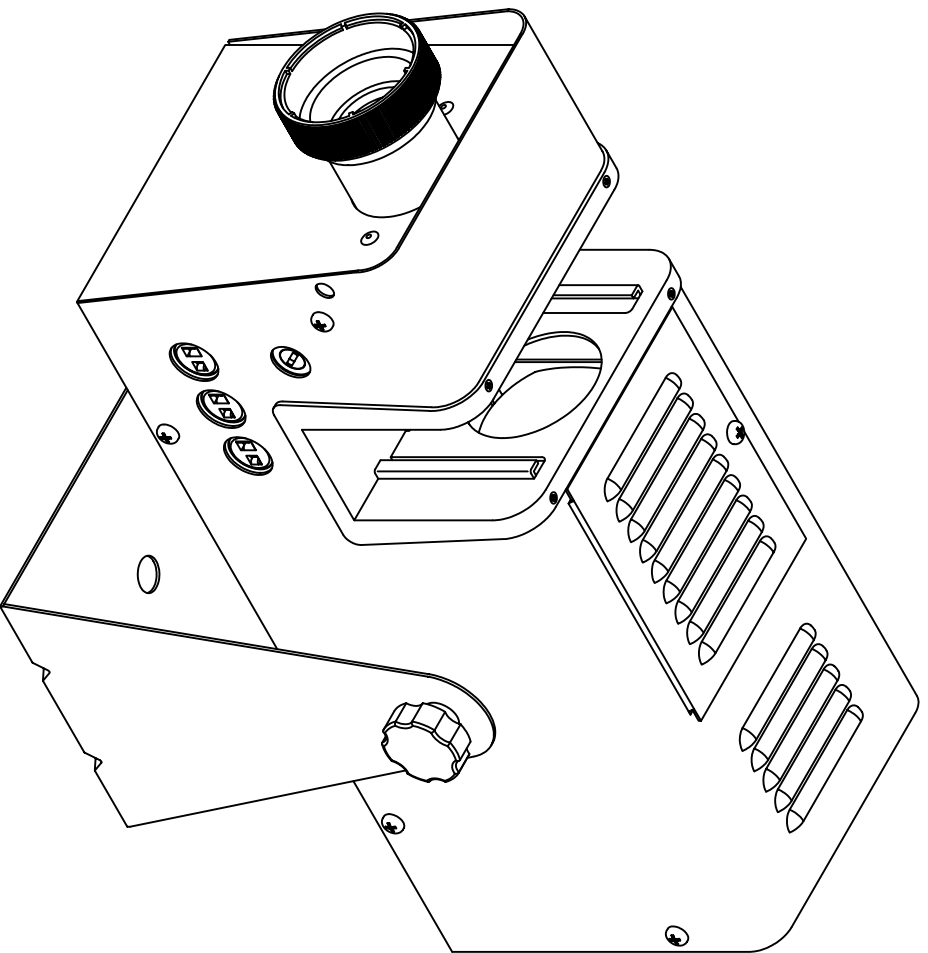


NOTES:

1. FIT SLEEVING (ITEM 22) OVER FAN WIRES ON TRANSFORMER (ITEM 20). SLEEVING IS TO BE STRETCHED OVER CRIMP TERMINALS ONCE THEY HAVE BEEN ATTACHED TO FAN TERMINALS.
2. ENSURE THERMAL CUTOUT (ITEM 23) IS ORIENTATED ON LENS FRAME SUPPORT REAR (ITEM 6) AS SHOWN IN SCRAP DETAIL.
3. FOR WIRING INFORMATION SEE DRAWING NUMBER: A3-27-WD-FG2020.





COMPLETED PROJECTOR

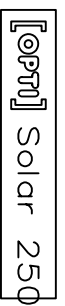
54



55



56



PARTS LIST			
ITEM No.	No.Off	DESCRIPTION	PART No.
1	1	COVER	-->
2	1	CHASSIS	-->
3	1	HATCH COVER	-->
4	1	HEAT SHIELD	27.0008
5	1	LENS FRAME SUPPORT FRONT	27.0009
6	1	LENS FRAME SUPPORT REAR	27.0010
7	1	LENS FRAME	27.0014
8	1	STAND	-->
9	1	AIR GUIDE	27.0024/1
10	1	FUSE 20 x 5	20.0059
11	1	FUSEHOLDER	21.0007
12	1	MAINS PANEL SNAP-IN	21.0013
13	4	250 LOCKING BOOT NATURAL	21.0021
14	3	187 LOCKING BOOT NATURAL	21.0024
15	2	110 LOCKING BOOT NATURAL	21.0025
16	1	IN-RUSH SUPPRESSOR	21.0027
17	1	K1 MAINS SOCKET WIRE ASSEMBLY (BLUE)	21.0028.4
18	1	K1 SIDE SOCKET WIRE ASSEMBLY (YELLOW)	21.0028.5
19	1	FAN AXIAL	21.0076
20	1	TRANSFORMER ASSEMBLY	27.0033
21	1	LENS CLIP	27.0019
22	0.08m	SLEEVING 1mm ORANGE	27.0020
23	1	THERMAL CUTOUT	27.0021
24	1	DOUBLE EARTH WIRE ASSEMBLY	27.0022
25	1	FLANGED TUBE	0010
26	1	PRIMARY CONDENSER LENS	0011
27	1	SECONDARY CONDENSER LENS	0012
28	1	HEAT FILTER	0013
29	1	MIRROR	0014
30	2	HANDKNOB M6 x 17.0 MALE	0025
31	1	PROJECTOR GATE	0026
32	3	12V BEAU SOCKET	0027
33	1	85mm FOCUSING LENS	0029
34	1	LAMP M33 24V/250W	-->
35	1	LAMP HOLDER ASSEMBLY	21.0014
36	1	MAINS LEAD	-->
37	2	RUBBER WASHER M6	0041
38	1	LENS EXTENSION RING	0043
39	1	FUSE 2A ANTI-SURGE 20 x 5	0141
40	2	CABLE TIE 2.5 x 100	5076
41	4	SCREW 2 x 1/4 SELF-TAP C/SUNK POZI	0922
42	1	SCREW 4 x 1/4 SELF-TAP PAN HEAD POZI	0930
43	2	SCREW 4 x 3/8 SELF-TAP PAN HEAD POZI	0933
44	9	SCREW M4 x 8 PAN HEAD POZI	0982
45	4	SCREW M4 x 4.5 PAN HEAD POZI	0996
46	2	M4 NYLON NUT	2016
47	2	WASHER 6BA BERILLIUM COPPER	3001
48	2	WASHER M4 PLAN	3030
49	8	WASHER M4 EXTERNAL TOOTH SHAKEPROOF	3031
50	7	POP RIVET 3.2 x 6.0 - NATURAL TAPD 44	3164
51	2	POP RIVET 4.0 x 8.5 BLACK - TAPD 56	3161
52	4	POP RIVET 3.2 x 4.5 BLACK - TAPD 42	3171
53	3	POP RIVET 4.0 x 8.5 NATURAL - TAPD 56	3177
54	1	SERIAL NUMBER LABEL	20.0058
55	1	SERIAL NUMBER	0601
56	1	PRODUCT LABEL	27.0030

COMPONENT VARIATIONS	
PART No.	DESCRIPTION
27.0001B	COVER - BLACK
27.0001W	COVER - WHITE

COMPONENT VARIATIONS	
PART No.	DESCRIPTION
27.0004B	CHASSIS - BLACK
27.0004W	CHASSIS - WHITE

COMPONENT VARIATIONS	
PART No.	DESCRIPTION
27.0007B	HATCH COVER - BLACK
27.0007W	HATCH COVER - WHITE

COMPONENT VARIATIONS	
PART No.	DESCRIPTION
27.0015B	STAND - BLACK
27.0015W	STAND - WHITE

COMPONENT VARIATIONS	
PART No.	DESCRIPTION
0141	FUSE 12A/250V - EURO
20.0059	FUSE 14A/250V - US.

COMPONENT VARIATIONS	
PART No.	DESCRIPTION
0030	OSRAM - XENOPHOT HLX64657 24V250W
0628	EYE - IWASAKI JC24V250W20H

COMPONENT VARIATIONS	
PART No.	DESCRIPTION
0037/1	MAINS LEAD WITH PLUG BLACK - US.
0037/2	MAINS LEAD SHUKO BLACK - EURO
0037/4	MAINS LEAD WITH PLUG BLACK - UK.
0037/W	MAINS LEAD WITH PLUG WHITE - UK.

COMPONENT VARIATIONS	
PART No.	DESCRIPTION
0982	M4 x 8 PAN HEAD POZI BZP
0999	M4 x 10 PAN HEAD POZI BLACK

ONLY ON BLACK COLOURED PRODUCT